



Full 360° Camera System



Know What Surrounds You.



Owner/Installation Manual

Owner's Manual

Welcome

Congratulations on your purchase of the SmartView™ camera system. With this camera system, you get full view around your vehicle, especially in your blind spots.

This manual contains information on getting familiar with your SmartView™ camera operating system and how it functions as well as installation of the product.

Important Safety Information:

This camera system product is designed and intended for the purpose of providing full view camera video for the driver. Misuse of this product may constitute a violation of your state's vehicle code. Please check with your local state law regarding the use of such a product.

Table of Contents

Getting Started	2-3
SmartView™ Overview	4
Wire Harness Connections	5
Installation	5-6
Wire Diagram	7
Other Products	8-9
Notes	10

Getting Started

The SmartView™ camera system comes with 4 cameras. One camera for the front, one for the back, and two for both the left and right sides of the vehicle. Viewing these cameras is controlled by the blinkers, hazards, and putting the car in reverse.

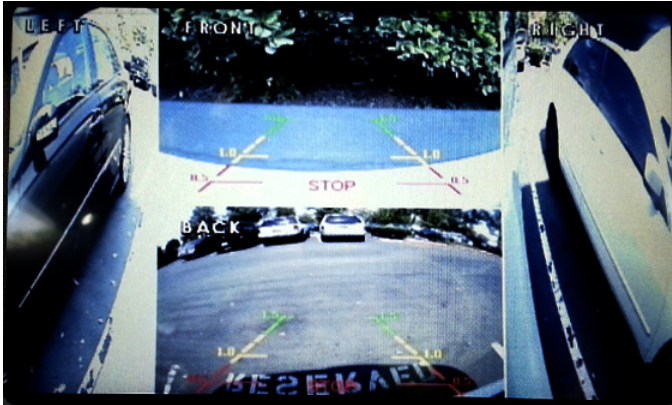


Left Blinker toggles the view of the **BACK** and **LEFT** side cameras.



Right Blinker toggles the view of the **BACK** and **RIGHT** side cameras.

Getting Started (cont.)



Hazards toggle the view of **ALL** the cameras.



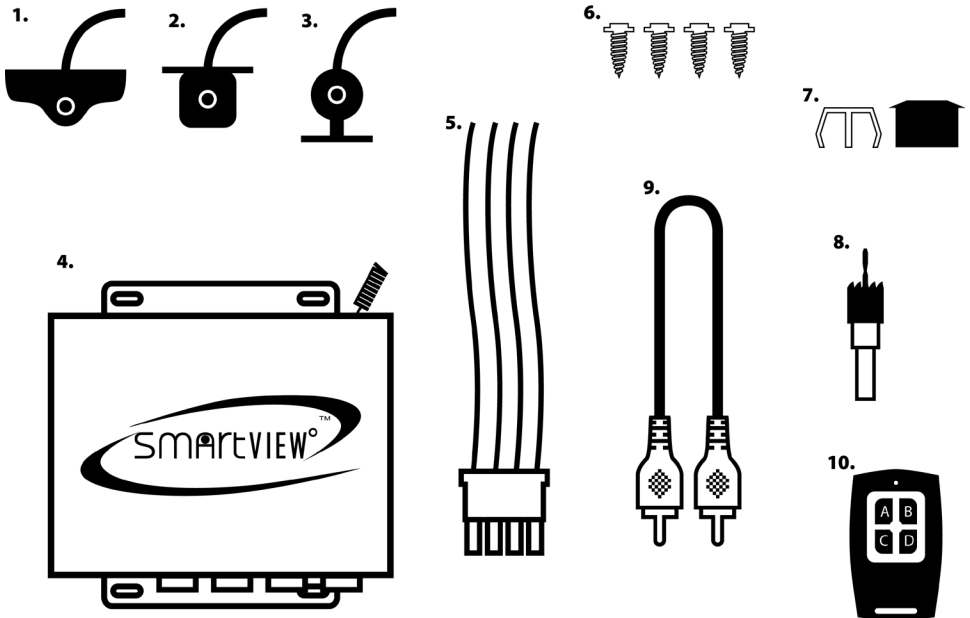
Putting the vehicle in **Reverse** toggles the view of the **BACK**, **LEFT** and **RIGHT** side cameras.

Installing SmartView™

SmartView™ Overview

The SmartView™ Camera System Includes:

1. 2 Side Cameras for Left & Right of Vehicle
2. 1 Front Camera
3. 1 Back Camera
4. Control Box
5. Wire Harness
6. 4 Screws for Mounting Cameras
7. Plastic & Metal Open-end Caps for Flush-mounting Rear Camera
8. Hole Saw for Flush-mounting Rear Camera
9. RCA Video Cable
10. Remote Control



Wire Harness Connections

The SmartView™ wire harness has 7 wires which connect to the vehicle's existing wire system. The wires have corresponding tags on them to know which wires to connect them to.

- **RED** - +12ACC (Accessory Power)
- **BLACK** - Ground
- **WHITE** - Left Control (Signal)
- **BLUE** - Right Control (Signal)
- **GREEN** - N/A
- **YELLOW** - Reverse Control
- **ORANGE** - Reverse Transfer Wire (For Aftermarket Double Din Stereo)

Installation

STEP 1 - Make sure front windows are down. Remove side mirrors and interior side mirror cover. Install the side cameras through them. Cameras should be mounted underneath the side mirror, close to where the side mirror housing touches the side of the vehicle. Be sure to leave a little slack from the cameras' wires to adjust the viewpoint once connected to the monitor. Remove door panels and any other parts in order to get to the vehicle's grommets to run the wires through into the inside of the vehicle.

STEP 2 - Next, open the trunk and remove the lining that is connected to the trunk's lid. Install rear camera. Use screws provided.

(Optional: You can have the rear camera flush-mounted by using the hole saw screw and plastic with metal open-end caps.) Run rear camera wire along existing wires of trunk and into the back seats. If vehicle is not equipped with drop-down back seats, you will have to remove back seats. Remove door sill plates and run rear camera wire along side of vehicle.

Installation (cont.)

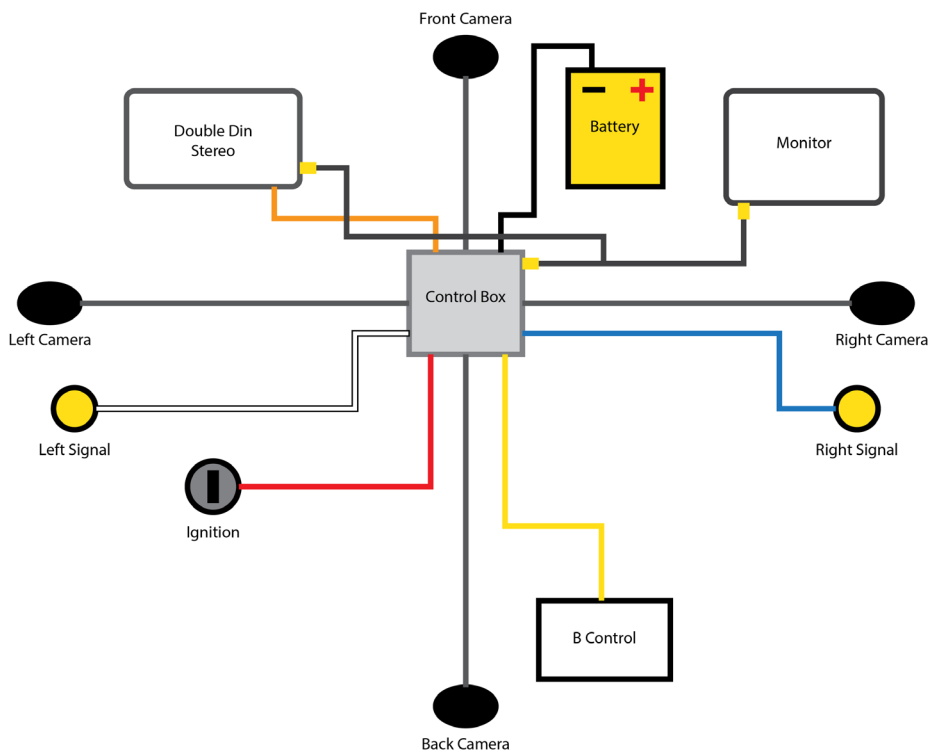
STEP 3 - For the front camera installation, mount camera in a suitable area in the front of the vehicle. Use screws provided. Run front camera wire under hood along existing vehicle wires and into the firewall of the vehicle.

STEP 4 - Locate the vehicle's wires for turn signals, reverse, hazards, etc. Connect wire harness to the corresponding wires of vehicle. Remove center dash console and run vehicle wires attached to wire harness in the center dash area. Run all camera wires to the center dash area as well. Connect wire harness to control box and the camera wires to the corresponding inputs (**F**=Front, **B**=Back, **L**=Left, **R**=Right). Connect the RCA Video cable as well to the control box and to the vehicle's monitor.

Note: *The SmartView™ remote control is used for vehicle's that have a separate monitor that is always on whenever the vehicle is on. Remote control will not work with a double din stereo.*

STEP 5 - After connecting all wires to the control box and the RCA Video cable to the vehicle's monitor, test the system and adjust the cameras positions. Side mirror cameras should be in the viewpoint of the driver's blind spots.

Wire Diagram



Other Products

HindSight™ Flip



The all-new Vizualogic® HindSight™ Flip is a revolutionary new backup camera system. Simply place your vehicle in reverse and HindSight's monitor automatically flips open and shows any obstacles behind your vehicle.

Reversing is easy using the back-up assist lines to guide you, and the monitor flips closed as soon as you place the vehicle in drive. The HindSight™ Flip comes with a fully adjustable 4.3" motorized monitor, a back-up camera, and all the necessary wiring.

Rear View Mirrors

Vizualogic®'s rear view mirrors come with a number of features. Everything from GPS to a DVR camera, our selection of mirrors has got your back covered. For more information, check out our website.



SmartLogic® Headrest System



The SmartLogic® system features a 1 GHz processor, 4GB of storage, (upgradeable with a MicroSD card to 32GB) front facing camera, built in Wi-Fi capability, a 7" screen, and DVD playing capability. The Operating System is Android 4.1 Jelly Bean, allowing passengers to enjoy games, music, and

movies, along with email, web browsing, video chat, and streaming video when paired with a Wi-Fi hotspot. Over 700,000 apps are available from the pre-loaded Google Play Store.

The system is fully upgradeable for the next generation of tablets too!



smart·L·O·G·I·C®

VIZUALOGIC®

The Rear Seat Entertainment Company

For more info, visit our website at www.vizualogic.com