

99-0011-000

VIZUALOGIC™
The Rear Seat Entertainment Company

Quantum DVD PLAYER

Roof Mount Monitor / DVD Player



VZ8500 & VZ1100
USER MANUAL

TECHNICAL SPECIFICATIONS

Specifications:

- Multimedia player supports: DVD, DVD-R, DVD-RW, DVD+R, DVD+RW, CD, CD-R, CD-RW, VCD, SVCD, MP3 and JPG picture disks.
- MPEG4 support: DivX 3.11/4.02/5.02/5.03/5.05 DivX Pro
- Electronic Shock Protection (ESP) and Mechanical Shock Protection
- PAL/NTSC compatible
- Multi Lingual On Screen Display (OSD)
- Integrated Dome Lights with Door Sensor Connections
- A/V input via RCA connectors
- USB Connector
- SD Card Reader (VZ1100 Only)
- Multi-Language Menu Selection

Kit Content:

- Quantum DVD Player
- (2) - Wireless Headphones (Batteries Included)
- Remote Control (Battery Included)
- Metal Mounting Bracket & Miscellaneous Hardware
- A/V Cables
- User Manual

Quantum Specifications:

Quantum Model	Quantum 8500	Quantum 1100
Weight	< 2.0 KG	< 3 KG
Dimension (W x H x L) mm	292 x 180 x 51	355 x 254 x 65

Power Consumption	12V DC (1 1-15V) /1.4A (Max 1.6A)
FM Stereo Transmitter	88.5MHz / 88.7MHz / 88.9MHz / 89.1MHz / 89.3MHz 89.5MHz / 89.7MHz / 89.9MHz
IR Carrier Frequency	2.3 / 2.8 MHz
TV Signal System	PAL/NTSC/MULTI
Laser	Semi-conductor laser, wave length 600nm, 780nm
Frequency Range	48 KHz pulse modulation 20 Hz ~ 22 KHz 96 KHz pulse modulation 20 Hz ~ 22 KHz
S/N	≥ 65 dB
Audio Dynamic Range	> 85 dB
Harmonic Distortion	0,01%
Input Sensitivity	500 mv
Operation Temperature	0 °C ~ 40 °C
Storage Temperature	-15 °C - 50 °C

WELCOME

Congratulations on your purchase of a Vizualogic Quantum DVD Player. This system will provide your family with many years of enjoyment. This sophisticated product provides video entertainment to rear seat passengers without altering the appearance of your vehicle’s original interior.

Reviewing this owner’s manual thoroughly prior to operation will provide you with the best performance and help explain the simple requirements for proper care.

IMPORTANT SAFETY INSTRUCTIONS

CAUTION

RISK OF ELECTRIC SHOCK
DO NOT OPEN

CAUTION: TO REDUCE THE RISK OF ELECTRIC SHOCK, DO NOT REMOVE COVER (OR BACK). NO USER SERVICEABLE PARTS INSIDE. REFER SERVICING TO QUALIFIED SERVICE PERSONNEL.



The lightning flash with arrowhead symbol within an equilateral triangle is intended to alert the user to the presence of dangerous voltage within the product’s enclosure that may be of sufficient magnitude to constitute a risk of electric shock.



The exclamation point within an equilateral triangle is intended to alert the user to the presence of important operating and maintenance (servicing) instructions in the literature accompanying the appliance.

WARNING:

FCC regulations states that any change or modification to the equipment, not expressly approved by the maker or its authorized parties could void the user’s authority to operate this equipment.

NOTE:

- Please dispose of empty batteries according to local regulations in your country.
- All On-Screen-Displays (OSD) and pictures will be based on the English version.
- Design and Specifications may vary in the manual from the actual product in use.

CAUTION:

The unit employs a laser system.

To ensure proper use of this product, please read this owner’s manual carefully and retain for future reference. Should the system require maintenance, contact an authorized service location, see service procedure.

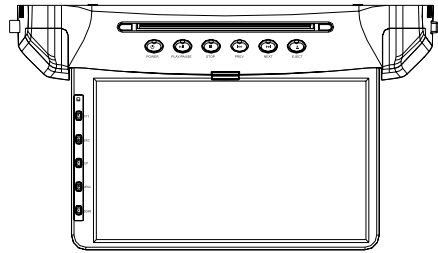
Use of controls, adjustments of the performance of procedures other than those specified herein may result in hazardous radiation exposure.

To prevent direct exposure to laser beam, DO NOT try to open the enclosure. Visible laser radiation may be present when the enclosure is opened. DO NOT stare into the laser beam.

PREPARATION BEFORE USING THE QUANTUM

Unpacking and Checking the Contents

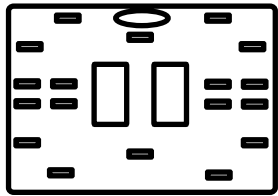
Please check if the following items are included in the package:



One Vizualogic Quantum DVD Player (8500 Model Shown)

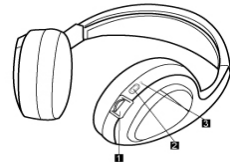


One IR-Remote Control



Mounting Bracket

Single Channel IR Headphones (2)



EVA Foam Trim Ring



Owner's Manual



4" Trim Ring (Sold Separately)



COMPATIBLE DISK TYPES

Some DVD discs may have special requirements for playing, with which this system may not be compatible. Please refer to the specifications on the individual disc.

DISC TYPE	Content	Size	Total Play Time
DVD	AUDIO/VIDEO	12CM	About 4.7 GB - 2 hrs. (Single Side & Single Layer)
			About 8.5 GB - 4 hrs. (Single Side & Double Layer)
			About 9.4 GB - 4 hrs. (Double Side & Double Layer)
			About 17 GB - 8 hrs. (Double Side & Double Layer)
CD-DA	AUDIO	12CM	About 700 MB - 74 Minutes
MP3	MP3 AUDIO	12CM	About 700 MB - 300 Minutes

Discs Types

The Quantum DVD Player can play the following disc types: DVD / CD / CD-R / CD-RW / DVD-R / DVD-RW / DVD+R / DVD+RW.

Please DO NOT play discs smaller than 12cm or odd shape discs. Or discs recorded with other systems, such as SECAM.

File Type

The Quantum DVD Player can play the following file types:

Music: WMA (.wma), CD (.cda), MP3 (.mp3)

Video: VCD (.dat), DVD (.vob), AVI (.avi BELOW 720.480, DivX 3.11 / 4.02 / 5.02 / 5.03 / 5.05 DivX Pro)

Picture: JPEG (.jpeg).

Region Code

The region code for this player is 1 which indicate North America.

Copyright

According to the related laws, DVD discs without proper authorization are not allowed to be copied, broadcast, cable broadcast, or played publicly with the Vizualogic Quantum DVD Player.

The Vizualogic Quantum DVD Player incorporates copyright protection technology that is protected by method of claims of certain U.S. patents and other Intellectual Property Rights owned by their rights owners. Reverse engineering or disassembly is prohibited.

QUANTUM DVD PLAYER INSTALLATION

CONTROL REFERENCE GUIDE

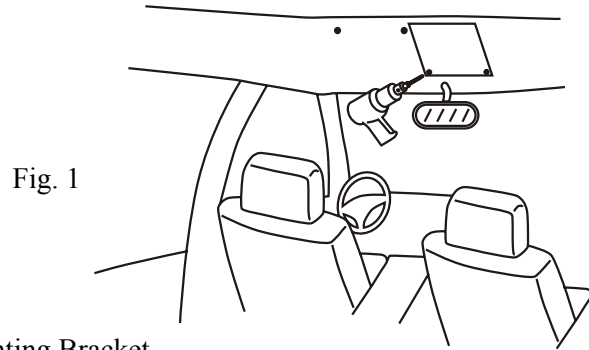


Fig. 1

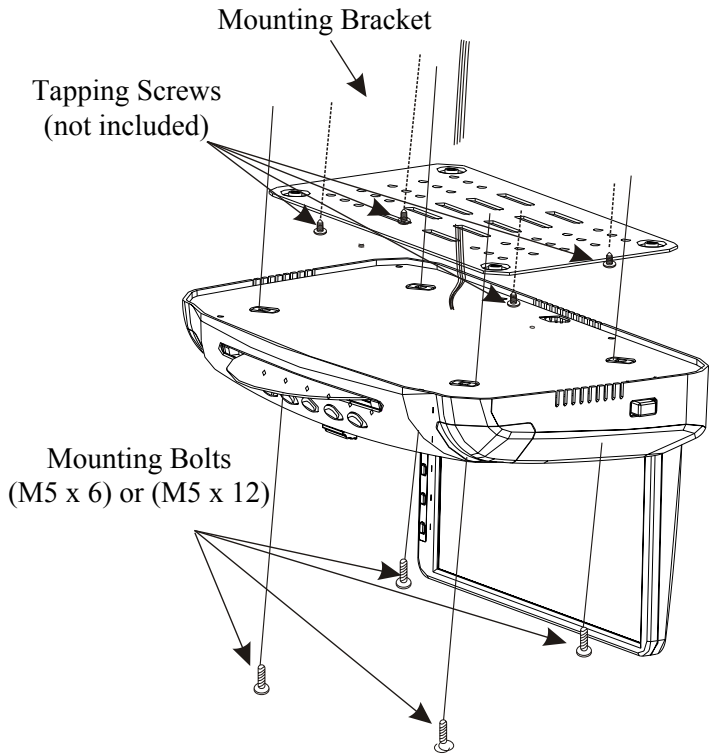
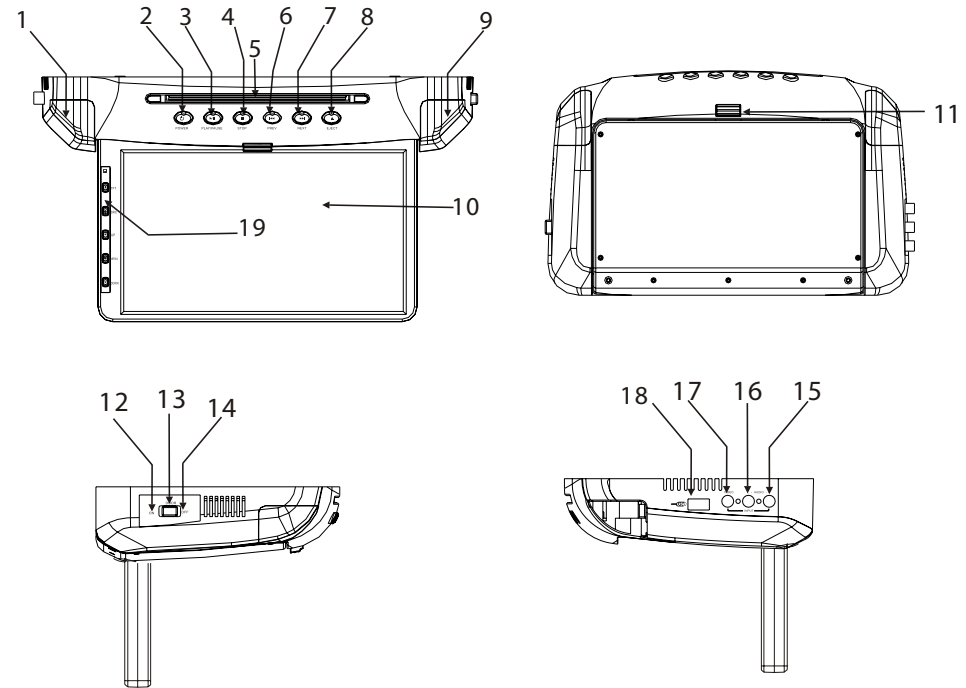


Fig. 2

- Determine the mounting location and drill four (4) mounting holes (Fig. 1).
- Attach the mounting bracket to the holes with tapping screws (not included).
- Open the monitor to display the four (4) screw holes.
- Attach the unit to the bracket with the mounting bolts (M5x6 or M5x12).
- When the installation has completed, you can also turn the display upward or downward to adjust the viewing angle. (See the arrowhead symbol in Fig. 2).

Please note that this is a universal item and may require additional components such as screws (not included) to complete the installation. Professional installation is suggested.

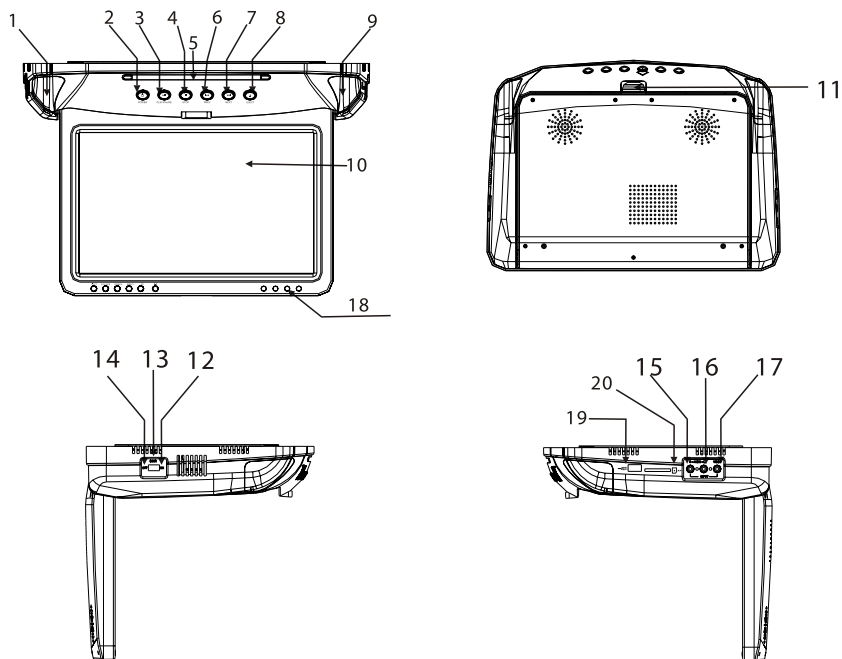
The Vizualogic Quantum 8500



1+9	Dome Light	11	Release Button
2	Power ⏻	12	Dome Light - On
3	Play / Pause ▶ / ⏸	13	Dome Light - Door
4	Stop ■	14	Dome Light - Off
5	Disc Slot	15	Right Audio Input
6	Previous ◀◀	16	Left Audio Input
7	Next ▶▶	17	Composite Video Input
8	Eject ▲	18	USB
10	8.5 Inch LCD Screen	19	Infrared Sensor

CONTROL REFERENCE GUIDE

The Vizualogic Quantum 1100



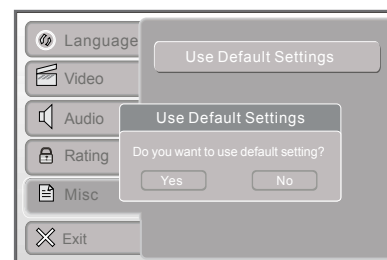
1+9	Dome Light	11	Release Button
2	Power	12	Dome Light - On
3	Play / Pause	13	Dome Light - Door
4	Stop	14	Dome Light - Off
5	Disc Slot	15	Right Audio Input
6	Previous	16	Left Audio Input
7	Next	17	Composite Video Input
8	Eject	18	Infrared Sensor
10	11 Inch LCD Screen	19	USB
		20	SD Card Slot

Misc

Enter this menu to setup the misc settings of the player and activate/disactivate screen saver

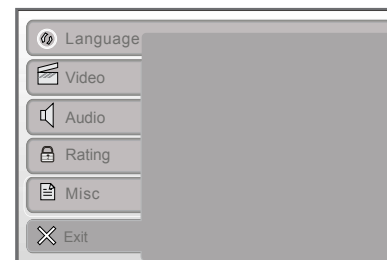


Use Default Settings:
The player will return to the factory default settings.



Exit

Enter this menu to Exit setup



Parental Control

Highlight "Parental control ", then press "ENTER" button to enter the setting menu. Enter the password when prompt and press "ENTER" to change the setting:

- | | |
|-------------|----------|
| 1. Kid Safe | 5. PG-R |
| 2. G | 6. R |
| 3. PG | 7. NC-17 |
| 4. PG-13 | 8. Adult |

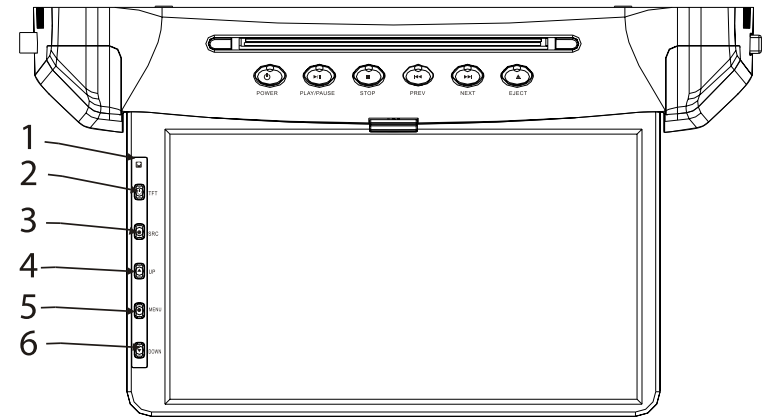
Change Password

Highlight "Set Password", and press the "ENTER" button to enter the setting menu. Input the current 4 digits password and press the "ENTER" button. Then enter the new 4 digit password and press ENTER to save.

Default Setting

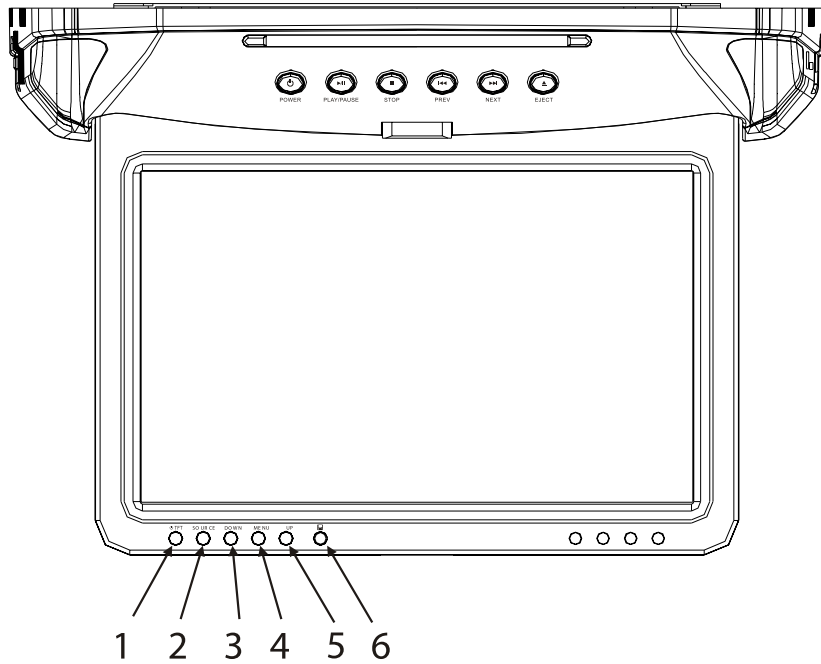
Password	: 8888
Parental Control	: 8.Adult

8.5 inch TFT color LCD Monitor (8500)



1. Control Sensor Pick Up
 2. TFT
 3. SRS
 4. UP
 5. Menu Selection: Brightness, Saturation, Sharpness, Contrast, Reset
 6. Down
- 1 - Press the [POWER] button to power on or off the TFT color LCD Monitor.
 - 2 - Press the [MENU] button to toggle between Brightness, Color, Contrast, Tint, and adjust the level with the [▲] or [▼] button.

11 inch TFT color LCD Monitor (1100)



1. ⏻ TFT
2. SRC
3. Down
4. Menu Selection: Brightness, Saturation, Sharpness Contrast, Rest
5. UP
6. Control Sensor Pick Up

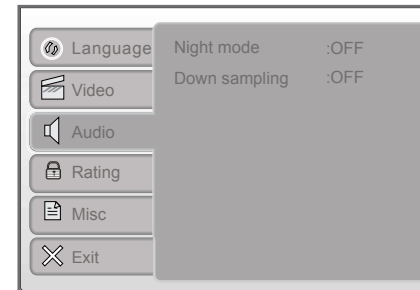
1. Press the [POWER] button to power ON or OFF the TFT color LCD Monitor.
2. Press the [MENU] button to toggle between Brightness, Color, Contrast, Tint, and adjust the level with the [▲] or [▼] button.

NOTE:

- The TFT color LCD is made of glass and liquid, do not apply pressure on the scree to prevent breakage and poor image quality.
- Do not scratch the screen surface with hard materials and only clean with a soft dry cloth.

Audio

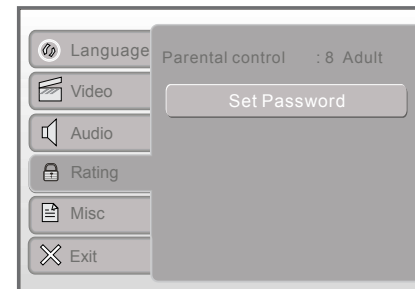
Enter this menu to setup the digital audio output.



Night mode:
OFF/ON
Down sampling:
OFF/ON

Rating

Enter this menu to setup the rating level of the player and to change the password.

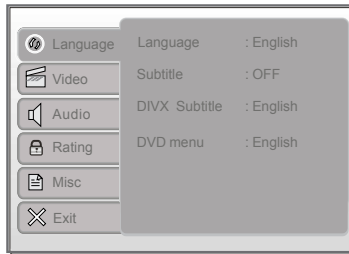


SETUP MENU

Press the **SETUP** button to enter the DVD On Screen Display (OSD) setup menu. Highlight the desired icon and press **ENTER** to activate the setting sub menu.

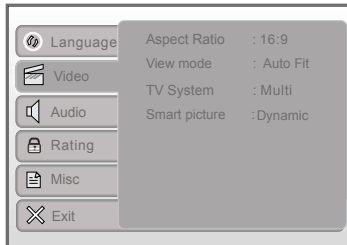
Language

Enter this menu to setup the OSD language, DVD disc subtitle, and DVD disc start menu.



Video

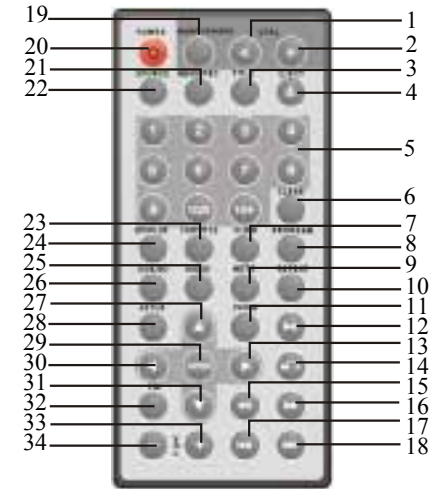
Enter this menu to setup the video setting



Aspect Ration:
4:3/16:9
View mode:
Fill/original/Auto Fit/Pan scan
TV System:
NTSC/PAL/MULTI
Smart picture:
Standard/Bright/Sofe/Dynamic

The IR Remote Control

Point the remote control no more than 3-4 meters (approx. 21 feet) from the remote control sensor on the front of the player. Keep remote within a ± 30° angle.



1. Adjust Decrease	13. Right Arrow ►	25. Audio
2. Adjust Increase	14. Stop / Return	26. USB / SD
3. Title	15. Fast Reverse ◀◀	27. Up Arrow ▲
4. Eject	16. Fast Forward ▶▶	28. Setup
5. Number Buttons	17. Previous ◀◀	29. Enter
6. Clear	18. Next ▶▶	30. Left Arrow ◀
7. Slow	19. Monitor Menu	31. Down Arrow ▼
8. Program	20. Power	32. FM
9. Mute	21. Menu/PBC	33. Volume +
10. Repeat	22. Source	34. Volume -
11. Zoom	23. Subtitle	
12. Play / Pause ►	24. Display	

NOTE:

- The distance may vary according to the brightness of ambient light.
- If the remote is not used for an extended period of time, remove the batteries to prevent possible damage from battery leakage and/or corrosion.
- DO NOT place any objects between the remote control unit and the sensor on the Quantum 8500.
- DO NOT use the remote control unit while simultaneously operating a remote control unit from another device. They may interfere with each other resulting in improper operation.
- Depending on usage, the batteries in the remote control should normally last for about one year. If the remote control isn't working, replace the batteries with new batteries and try again.
- DO NOT mix old batteries with used ones.
- DO NOT mix rechargeable batteries with non-rechargeable batteries.
- Incorrect usage of batteries may cause them to leak, corrode or explode.
- If leakage from the batteries occur, properly clean the battery compartment before attempting to install new batteries.
- Make sure the IR sensor is not obstructed by any objects.

OSD - Photo CD Mode

Repeat mode
(Press ENTER
to adjust)

- Single
- All
- Off

Playback Status

Current File
/ Total Files

Highlight Selection
(Press ENTER
to start
playback)

Repeat : Off
Mode : Normal

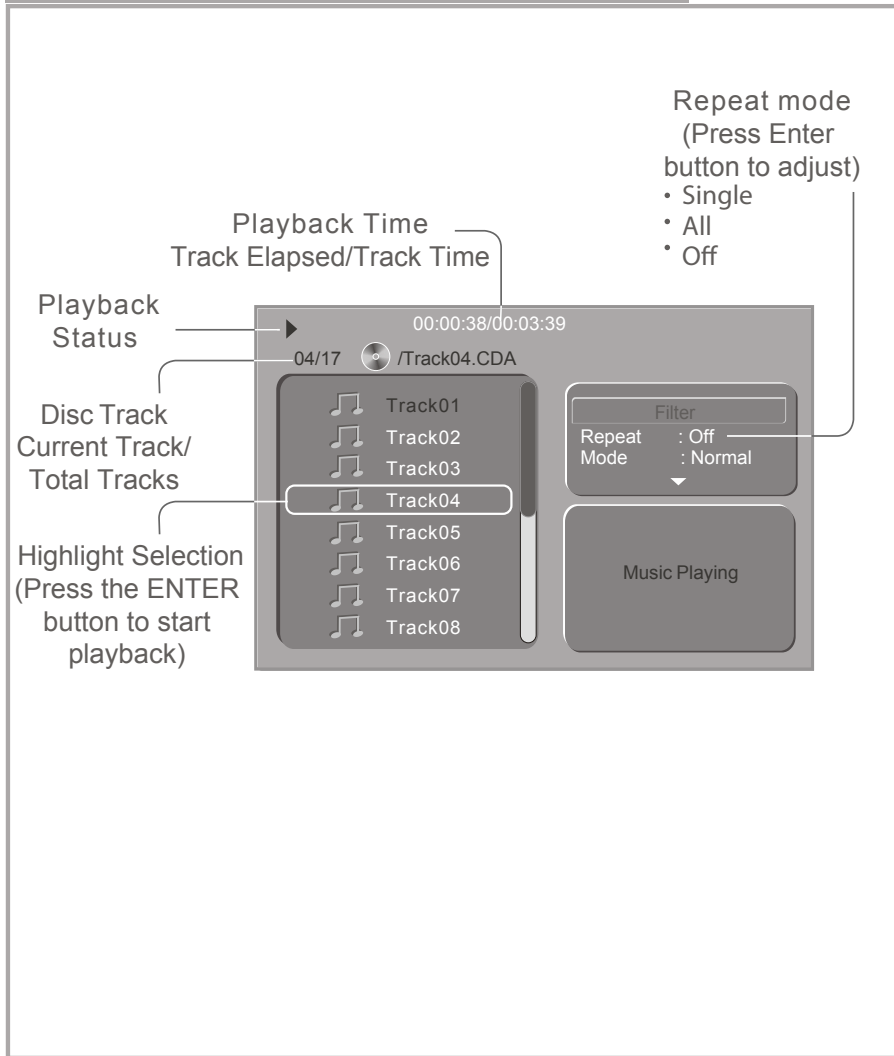
W: 3008 H: 2000

Image Rotation

Press CURSOR button to rotate photo.

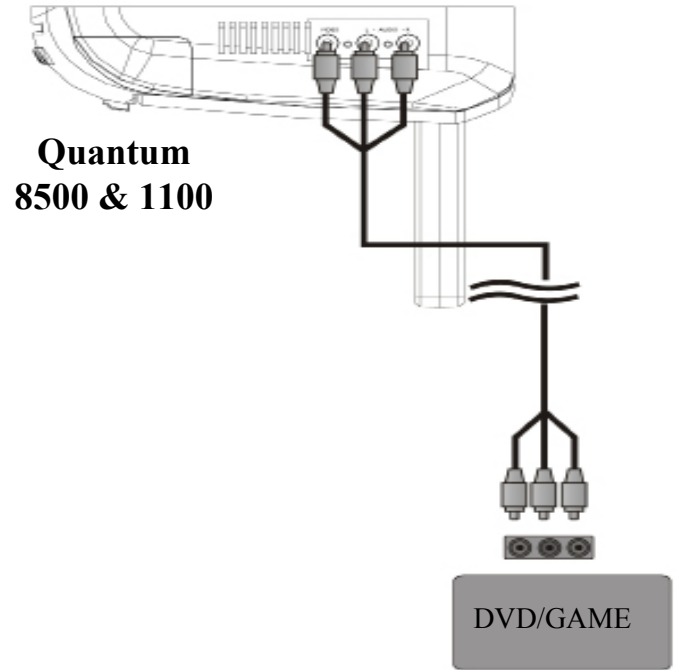
- UP : rotate 180 ° counter-clockwise
- DOWN: rotate 180 ° clockwise
- LEFT : rotate 90 ° counter-clockwise
- RIGHT: rotate 90 ° clockwise

OSD - CD mode



CONNECTION

Connect the Quantum DVD Player to an external DVD/GAME unit using the a standard RCA Cable (NOT INCLUDED).



- Composite Video (YELLOW)
- Right Audio (RED)
- Left Audio (WHITE)

BASIC OPERATIONS

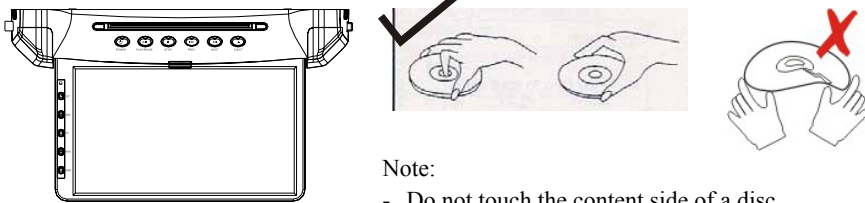
PAL-NTSC Selection

To set up The Quantum DVD player according to the connected TFT LCD monitor and video signal system, to play a DVD or any other video discs, follow these guidelines:

- If the TFT LCD monitor is NTSC, press the N/P button on THE Quantum DVD Player until you see NTSC on your screen.
- If the TFT LCD monitor is PAL, select PAL by pressing the N/P button on the screen until you see PAL on the display.
- If the TFT LCD monitor supports both PAL and NTSC, select MULTI by pressing the N/P button until you see MULTI on the screen.

Disc Loading

- Load one disc with the label side facing upwards and make sure you do not touch the data side with your fingers.



Note:

- Do not touch the content side of a disc.
- Do not stick any paper or stickers on the disc.
- Do not force the disc into the player. Damage to the disc or the player may occur if a disc is not placed correctly on the guides in the disc tray.



- Finger prints and dust on the disc surface can affect the sound and picture quality. Clean the discs regularly with a soft cotton cloth from the disc center to the outside of the disc. Do not clean in a circular motion.
- Do not use any solvents, such as diluting agents, gasoline, liquid detergent and etc; this may cause serious damage to the disc.
- Keep discs away from direct sunlight or any heat sources.
- The Quantum DVD Player is a precision device. If the optical pick-up lens and disc drive parts become dirty or worn down, picture quality will become poorer. To obtain a clear picture, regular inspection and maintenance are recommended every 1,000 hours of use, depending on the operating environment.

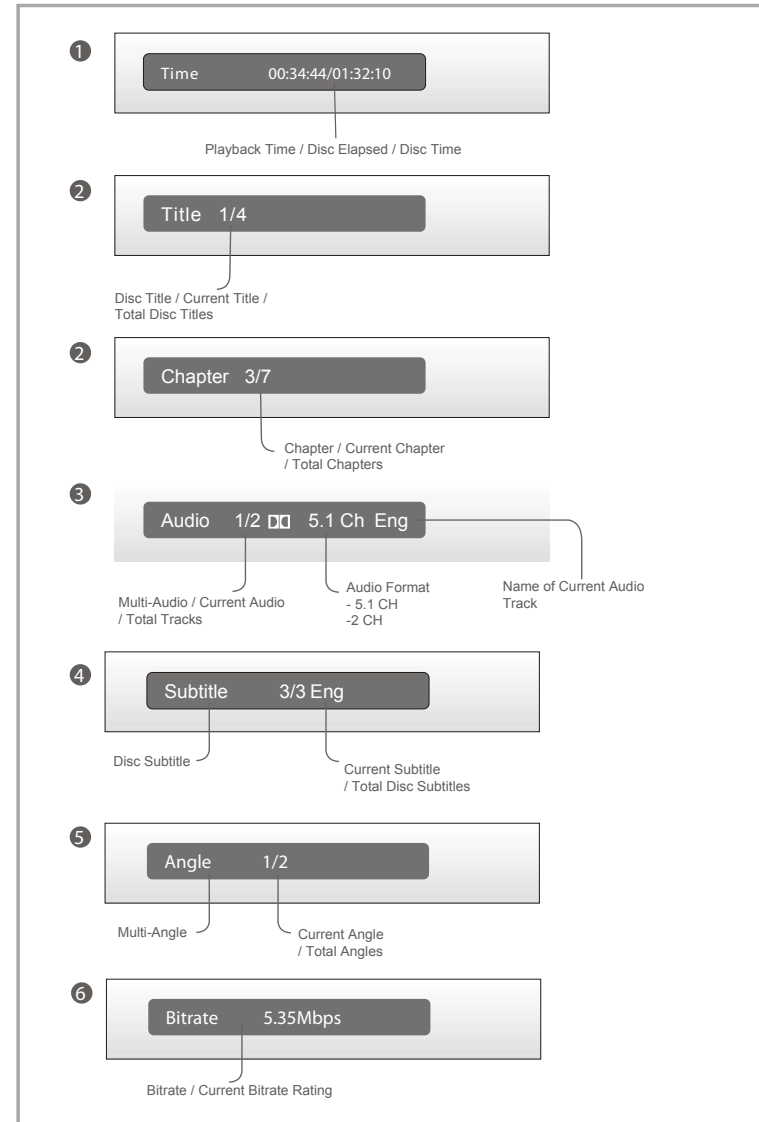
Once the disc is loaded, the unit will automatically start reading the disk and will take a few seconds to download the disc initial data. Thereafter, the disc type will be displayed in the left upper corner of the LCD screen and the unit will start playing the disc.

ON SCREEN DISPLAY

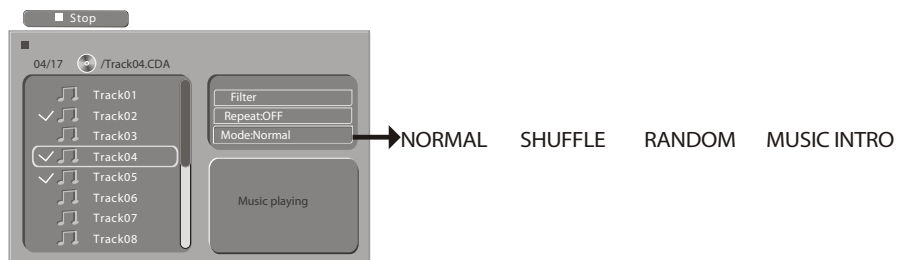
ON SCREEN DISPLAY

Press Display button, an On Screen Display (OSD) indicator will be displayed at the upper part of the TV screen in displaying the disc information and operation status.

OSD - DVD Mode



- 3 Press the DOWN cursor button to highlight the “MODE” function and press ENTER to select the mode. The unit has 4 different mode settings.

**NOTE**

- Some DVD discs do not allow programming.
- CD, MPEG4 and Picture CD programs are only available on activate Edit function.
- Single track disc cannot be programmed.

Pause / Stop / Play

When a disc is playing, pressing the **PAUSE** button on the remote control or on the Quantum player will pause the playback of the disc. Pressing the **PLAY** button on the remote control or the Quantum player will resume playback.

Press the **STOP** button on the remote control or the Quantum player to stop playback of the disc. The unit will remember the position of the disk and will continue playback from that position if the **PLAY** button on the remote control or on the Quantum player is pressed.

Press **STOP** twice to completely stop playing a disc. When the **PLAY** button on the remote control or the Quantum player is pressed, the unit will not resume play from the position the disc was interrupted at. **NOTE:** The disc continues to spin for approximately four (4) minutes after pressing the **STOP** button.

Selecting Menu Items

In either the disc menu or the setup menu:

- * Press the arrow / / / buttons to move between selectable items.
- * Press the **PLAY** button to confirm and/or execute a selection.

SD CARD AND USB OPERATION**Using the USB Slot**

Insert a standard USB thumb drive into the USB Slot. The USB reader can decode the same file formats as the DVD/CD loader.

Using the SD Card Reader (Not Available on VZ8500)

Insert a standard SD Card into the SD Card reader with the label facing up. The SD Card reader can decode the same file formats as the DVD/CD loader.

ADVANCED OPERATION**Select a specific on-disc Menu section**

When the DVD disc contains an on-disc menu, you can access this menu by pressing either the **MENU** button on the remote control or on the Quantum player. (Note: PBC must be turned on.)

- * Press the **MENU** button to display the DVD menu (if available) and the selection choices.
- * Use the arrow buttons to scroll through the displayed sub-menu items. Press **ENTER** to confirm the selection.
- * Alternatively, use the Number buttons to make a selection. For example: To select the 13th song, press 10+ then 3.

Audio CD discs track selection

You can select/play songs via the number buttons. If the track number is lower than 10, press a number button 1-9 to select the desired track. For example: to select the 8th track, press number 8. To select track numbers beyond 10, first press 10+, followed by a single digit number button (1-9). For example: To select the 12th song, press button 10+ then press button 2.

Fast Forward

While the video is playing, press the Fast Forward **FWD** button on the remote control or the Quantum DVD Player to play the video in Fast Forward (FFWD) mode. Five different speeds are available and depend on the number of times this button is pressed in sequence.

- ▶▶2x → ▶▶4x → ▶▶8x → ▶▶16x → ▶▶32x → ▶▶Normal Play (DVD)
- ▶▶2x → ▶▶4x → ▶▶8x → ▶▶16x → ▶▶32x → ▶▶Normal Play (Other Discs)

Fast Backward

While the video is playing, press the Fast Backward **REV** button on the remote control or the Quantum DVD Player to play the video in Fast Backward (FRWD) mode. Five different speeds are available and depend on the number of times this button is pressed in sequence.

- ◀◀2x → ◀◀4x → ◀◀8x → ◀◀16x → ◀◀32x → ◀◀Normal Play (DVD)
- ◀◀2x → ◀◀4x → ◀◀8x → ◀◀16x → ◀◀32x → ◀◀Normal Play (Other Discs)

Skip to the next chapter or track

When a DVD disc is playing, press the **NEXT** button on either the remote control or the Quantum DVD Player to skip to the next chapter. When other discs are played, press this button to skip to the next track.

NOTE: Whether this function works depends on the disc type in use.

Skip to the previous chapter or track

When a DVD disc is playing, press the **PREVIOUS** button on either the remote controller of the Quantum DVD player to skip to the previous chapter. When other discs are played, press this button to skip to the previous track.

NOTE: Whether this function works depends on the disc type in use.

Select a track

There are two options to select a next track.

1. Press either the **PREVIOUS** or the **NEXT** button as described above.
2. Press one or more of the NUMBER 0-9, 10+ buttons to enter the desired track number. When the screen is displaying a ⊙, this function is not available. Reasons: A) The tracks on the disks are not numbered; B) The entered number is incorrect; C) PBC is on, press the PBC button on the remote control to switch PBC off.

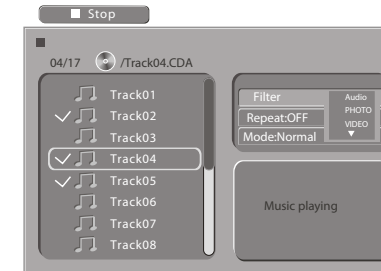
Display the track list

With PBC switched on and while the DVD disc is playing, press **MENU** to display the track list. Select a track with the up or down arrow and press **ENTER** to confirm your track selection.

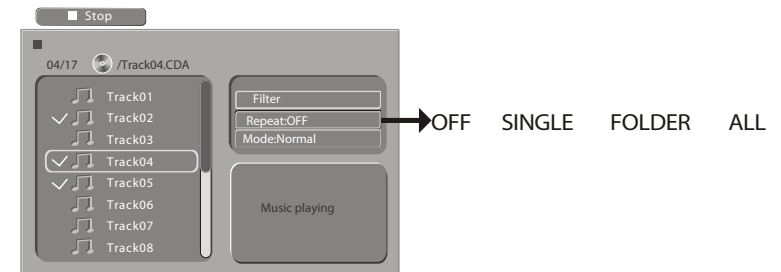
CD/MPEG4/Picture CD program menu

Load a CD, MPEG4 or Picture CD disc, the file manager menu will display on the screen.

- 1 Press the **RIGHT** cursor button to highlight the "Filter" and press the **ENTER** button to activate the Filter function. Press arrows to select "AUDIO, PHOTO, VIDEO, BIN".



- 2 Press the **REPEAT** cursor button to highlight your desired track and press the **ENTER** button to select. It has 4 different options: OFF, SINGLE, FOLDER, ALL.



PROGRAM SETTINGS

Program to play a DVD disc in a desired sequence automatically.

DVD setting menu



Load a DVD disc.

- 1 Press Program button to enter the setup menu.
- 2 Press UP or DOWN button to highlight the desired title and then press ENTER button to enter chapter program.
- 3 Press PLAY icon and enter button to start the program play. If you want to cancel program play, press the clear program icon, all programmed will be clear up

Repeat

While a disc is playing, press the **REPEAT** button to select one of the available repeat modes.

1. For DVD discs:
 - a. Press REPEAT to repeat a chapter.
 - b. Press REPEAT again to repeat a title.
 - c. Press REPEAT again to exit the repeat mode.
2. For non-DVD discs and when PBC is switched off:
 - a. Press REPEAT to repeat a single.
 - b. Press REPEAT again to repeat the folder.
 - c. Press REPEAT again to the entire disc.
 - d. Press REPEAT again to exit the repeat mode.

Chapter

Title

REPEAT OFF

SINGLE

FOLDER

ALL

REPEAT OFF

Select Subtitle Language

Press the SUBTITLE button to select the caption language e.g. English, Dutch, Spanish, etc. Press the SUBTITLE button various times until you have selected the desired language.

NOTE: Whether this function works depends on the disc type in use.

Subtitle 01/03: French

On Screen Display (OSD)

The DISPLAY button can be pressed on the remote control to check the playing time and the remaining time for each title/chapter/track. Also, it can display the remaining time for the whole discs.

For DVD Discs

Press the DISPLAY button once, the screen will show the elapsed time for the current title...

TITLE ELAPSED
01/01 C: 02/25
00:06:08

Press the DISPLAY button twice, the screen will show the remaining time for the title.

TITLE REMAIN
T: 01/01 C: 02/25
1:30:08

For CD Discs

To check the remaining time on a current track, press the **DISPLAY** button. The screen shows TC, this is the current track played.



Press the **DISPLAY** button twice and the screen will show the remaining time for the current track.



Press the **DISPLAY** button for a third time and the screen will show the elapsed time for the current disc.

Press the **DISPLAY** button for a fourth time and the screen will show the elapsed time for the current chapter.

FM Frequency

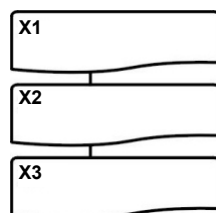
Push this button to select the FM Modulator (Transmitter) frequency; at the same time, the monitor will display which frequency you have selected. Now adjust the frequency on the vehicle's radio to match the frequency shown on the monitor.

(Frequency setting sequence: 88.5, 88.7, 88.9, 89.1, 89.3, 89.5, 89.7, 89.9)

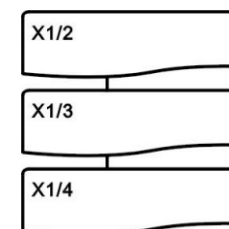
ZOOM

This feature is used to zoom-in and/or out on the video images or still images playing on the DVD discs.

There are three (3) levels of zoom-in function available. Pressing the Zoom button will change the view in the following sequence:



Hereafter, there are three (3) levels of zoom-out functions available. Pressing the Zoom button will change the view in the following sequence:



With the image zoomed, the (▲/▼/◀/▶) arrow buttons will allow you to pan through the zoomed images.

To return to normal screen size, press the **ZOOM** for the 7th time.

Memory Play

The Multimedia player can memorize the last stop point and play from this point onwards when the unit is switched on again or when play is pressed again.

When playing, press the **STOP** button once to stop the playback. The Quantum player will memorize the current position on the disc. Press the **PLAY** button to start playing from the last memorized position. Pressing the **STOP** button twice will clear the memorized position from the memory and if play is resumed, the disc will be played from the beginning.

Slow Play

While playing, push **SLOW** to play video slowly at different speeds. This option can be used to play the disc slow forward or backwards. Four speeds are available for either the slow forward or backwards option. Push **SLOW** once, the speed decreases by one shift, finally it returns to normal state.

- ▶ 1/2 → 1/4 → 1/8 → 1/16 →
- ◀ 1/2 → 1/4 → 1/8 → 1/16 → Normal Mode